

[IE25H-CP]

1.5" Chrome Angle Valve with hydrolator Female NPT Inlet x Female NPT Outlet.



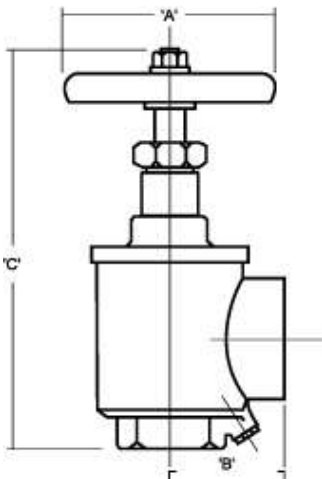
300 lbs (2068 kPa) pressure tested approved valve. Heavy Duty 1-1/2" (38 mm) chrome angle hose and hydrolator valve. Automatically drains and vents, safeguarding against hose deterioration. O-ring packing and red cast handle. Forgeline Bonnett and Seat Assembly. UL/ULC listed and FM Approved.

FINISH: Cast Chrome

OPTIONS: Cast Brass, Polish Brass Polish Chrome



Dimensions:



A= 4" (100mm)
B= 2 1/4" (56mm)
C= 8" (OPEN) (200mm)
C= 7" (CLOSED) ((175mm)

PROJECT	APPROVAL STAMP
PROJECT:	<input type="checkbox"/> APPROVED
ADDRESS:	<input type="checkbox"/> APPROVED AS NOTED
ENGINEER:	<input type="checkbox"/> NOT APPROVED
SUBMITTAL DATA:	REMARKS:
NOTES 1:	
NOTES 2:	