

IE2600A-A-25-GM

2.5" GROOVE X 2.5" (M)HOSE THREAD (BR) ANGLED ADJUSTABLE REGULATING VALVE



INFORMATION:

The Wilson and Cousins' IE2600A-A-25-GM (Adjustable Series)

The IE2600A series Field Adjustable Valve 400 psi rated is controlled by a single spring in the bonnet.

The Spring allows for one type of valve to be installed and can be adjusted to meet the correct pressure reduction ratio required for their specific location.

Designers have the option to choose from a range of seven different spring settings for the 2.5" size valve, allowing one to satisfy all required inlet/outlet pressure values.

OPTIONS:

Supervisory Switch (ADD SUFFIX - SS)
Chrome Plate Finish
Specify Hose Thread

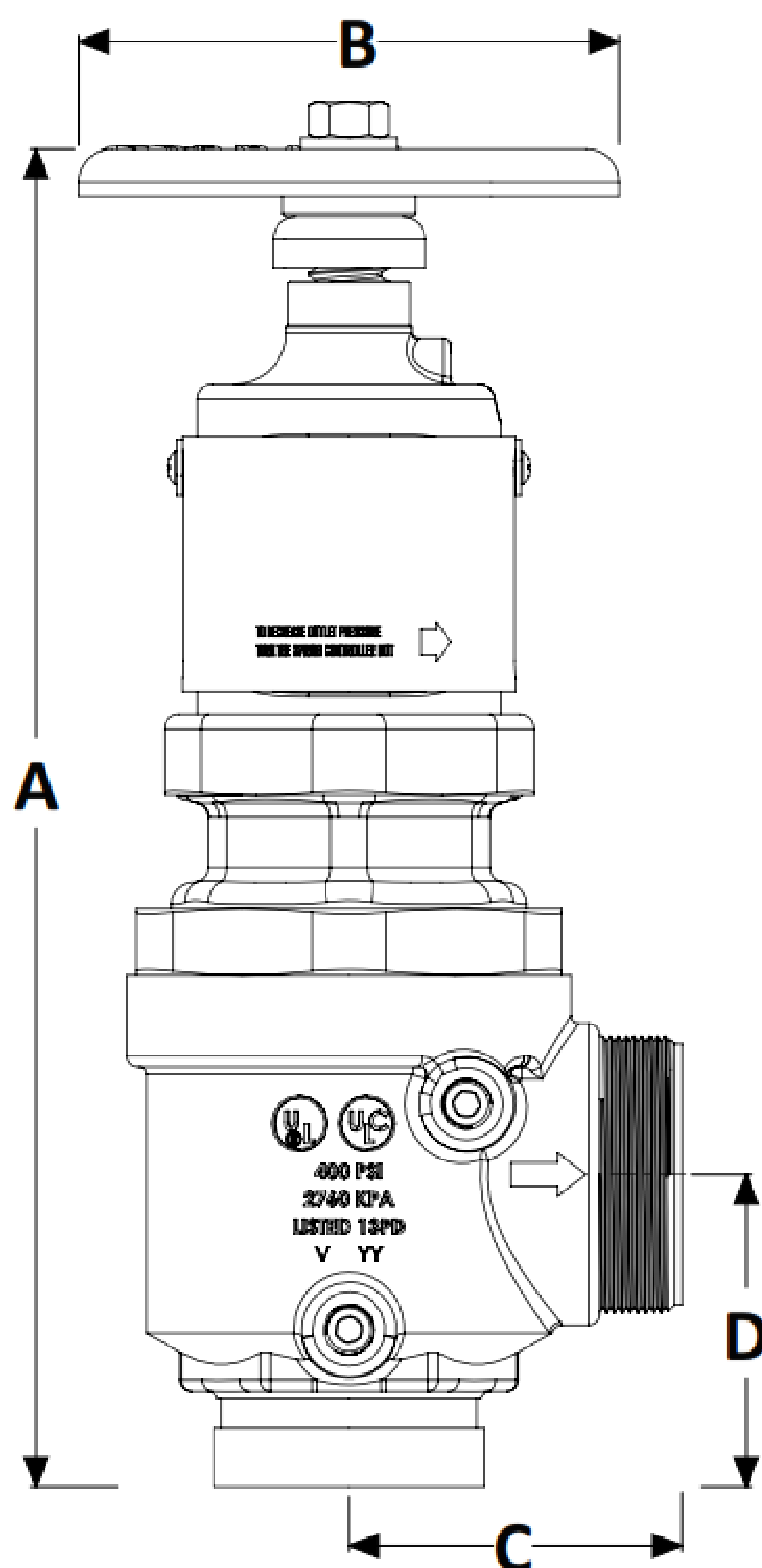
OTHER CONNECTION OPTIONS:

GROOVE X GROOVE
(F)NPT X REGIONAL (M) HOSE THREAD
(F)NPT X (F)NPT

LISTED:



DIMENSIONS:



	INCH	MM
A OPEN	14 5/16	364
A CLOSED	13 3/4	349
B	5 3/4	146
C*	3 1/2	90
C**	4 5/8	118
D	3 11/32	85

* Groove x Male body

** Groove x Female body with Male hose adapter

PROJECT	APPROVAL STAMP
PROJECT:	<input type="checkbox"/> APPROVED
ADDRESS:	<input type="checkbox"/> APPROVED AS NOTED
ENGINEER:	<input type="checkbox"/> NOT APPROVED
SUBMITTAL DATA:	REMARKS:
NOTES 1:	
NOTES 2:	