

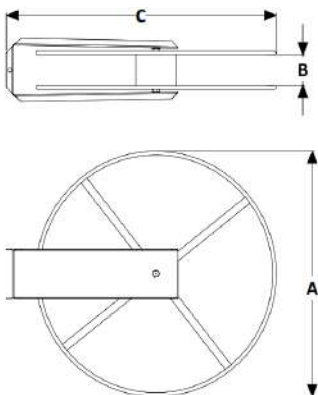
**[ IE7-24"P ]**  
**24" Red Swinging Hose Reel**



The IE7-24"P can hold 1.5" (38 mm) hose (please see chart below for capabilities). The 24" (610 mm) red swinging hose reel is used as an efficient, compact package providing stationary hose storage and easy deployment of collapsible hose. The hose reel is made of cold-rolled tubular steel rims and solid steel spokes and when mounted on the rugged steel brackets can swing at 180 degrees. The open design also helps with faster hose drying after use to prevent mold and mildew. The reel can be used in fire protection or washdown applications.

MODEL	HOSE SIZE INCHES (mm)	RACK HOSE FEET (m)	SINGLE JACKET FEET (m)	DBL JACKET FEET (m)
IE7-24"P	1-1/2 (38)	100 (30.5)	75 (23)	50 (15)
IE7-V5	2 (51) or 2-1/2 (65)	150 (45.7)	100 (30.5)	75 (23)
IE7-V5	1-1/2 (38)	300 (91.4)	200 (61)	150 (45.7)
IE7-V7	2 (51) or 2-1/2 (65)	-	200 (61)	150 (45.7)

**Dimensions:**



DIMENSIONS	INCH	MM
A	24"	610
B	3 1/8"	80
C	27 1/4"	692

PROJECT	APPROVAL STAMP
PROJECT:	<input type="checkbox"/> APPROVED
ADDRESS:	<input type="checkbox"/> APPROVED AS NOTED
ENGINEER:	<input type="checkbox"/> NOT APPROVED
SUBMITTAL DATA:	REMARKS:
NOTES 1:	
NOTES 2:	