



**[ IE25H-M-CP ]**

**1.5" Chrome Angle Valve with hydrolator Female NPT Inlet x Male Hose Outlet.**



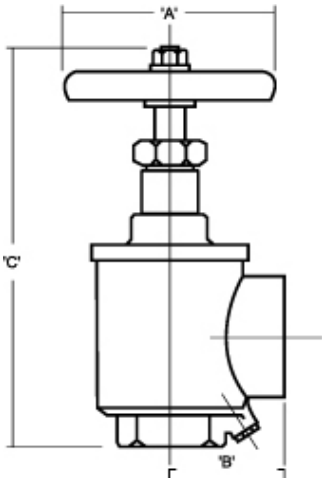
300 lbs (2068 kPa) pressure tested approved valve. Heavy Duty 1-1/2" (38 mm) chrome angle hose and hydrolator valve. Automatically drains and vents, safeguarding against hose deterioration. O-ring packing and red cast handle. Forgeline Bonnet and Seat Assembly. UL/ULC listed and FM Approved. Specify NPSH or NST thread for outlet.

**FINISH:** Cast Chrome

**OPTIONS:** Cast Brass, Polish Brass, Polish Chrome



**Dimensions:**



A = 4" (100mm)  
B = 2 3/4" (69.85mm)  
C = 8" (OPEN) (200mm)  
C = 7" (CLOSED) (175mm)