

[ IE25H-BRASS ]

**1.5" Angle Valve with hydrolator Female NPT Inlet x Female NPT Outlet.**



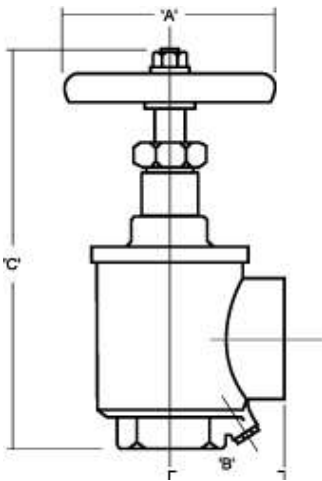
300 lbs (2068 kPa) pressure tested approved valve. Heavy Duty 1-1/2" (38 mm) angle hose and hydrolator valve. Automatically drains and vents, safeguarding against hose deterioration. O-ring packing and red cast handle. Forgeline Bonnett and Seat Assembly. UL/ULC listed and FM Approved.

**FINISH:** Cast Brass

**OPTIONS:** Polish Brass, Cast Chrome, Polish Chrome



**Dimensions:**



A= 4" (100mm)  
B= 2 1/4" (56mm)  
C= 8" (OPEN) (200mm)  
C= 7" (CLOSED) ((175mm))

PROJECT	APPROVAL STAMP
PROJECT:	<input type="checkbox"/> APPROVED
ADDRESS:	<input type="checkbox"/> APPROVED AS NOTED
ENGINEER:	<input type="checkbox"/> NOT APPROVED
SUBMITTAL DATA:	REMARKS:
NOTES 1:	
NOTES 2:	