

[IE23-HPCP]

2.5" Polish Chrome Standard Angle Hose Valve. 2.5" Female Inlet x 2.5" Male Hose Thread Outlet.



Heavy Duty 2-1/2" (65 mm) polished chrome angle hose, 300 lbs (2070 KPa) pressure tested approved valve. Lightweight cast brass body with high polish chrome finish, Forgeline Bonnett and Seat Assembly. UL/ULC listed and FM Approved. Specify regional hose thread for outlet.

FINISH: Polish Chrome

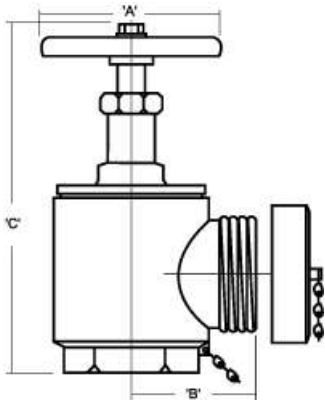
OPTIONAL FINISH: Cast Brass, Polish Brass, Cast Chrome

HOSE THREADS AVAILABLE: CSA, BCT, WCT, QST, NSST, NPSH, NST, Louisville, Cleveland, Chicago, Pittsburgh, New Cincinnati, New York Corp., New York Fire Department, Richmond, Raleigh

OTHER HOSE THREADS: PLEASE CONTACT FACTORY



Dimensions:



A=5" (125mm)
B=3 3/16" (79mm)
C=11" (OPEN) (275mm)
C=9 1/4" (CLOSED) (231mm)

PROJECT	APPROVAL STAMP
PROJECT:	<input type="checkbox"/> APPROVED
ADDRESS:	<input type="checkbox"/> APPROVED AS NOTED
ENGINEER:	<input type="checkbox"/> NOT APPROVED
SUBMITTAL DATA:	REMARKS:
NOTES 1:	
NOTES 2:	