

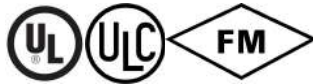
[IE23-FF]
2.5" Standard Angle Hose Valve. 2.5" Female Inlet x 2.5" Female Outlet.



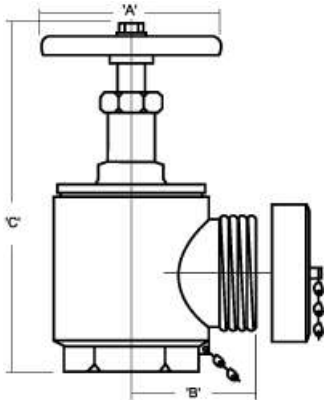
Heavy Duty 2-1/2" (65 mm) angle hose, 300 lbs (2068 kPa) pressure tested approved valve. Lightweight cast brass body, Forgeline Bonnett and Seat Assembly. UL/ULC listed and FM Approved.

FINISH: Cast Brass

OPTIONS: Polish Brass, Cast Chrome, Polish Chrome



Dimensions:



A=5" (125mm)
B=3 3/16" (79mm)
C=11" (OPEN) (275mm)
C=9 1/4" (CLOSED) (231mm)

PROJECT	APPROVAL STAMP
PROJECT:	<input type="checkbox"/> APPROVED
ADDRESS:	<input type="checkbox"/> APPROVED AS NOTED
ENGINEER:	<input type="checkbox"/> NOT APPROVED
SUBMITTAL DATA:	REMARKS:
NOTES 1:	
NOTES 2:	