

[ IE23-BRASS ]

**2.5" Standard Angle Hose Valve. 2.5" Female Inlet x 2.5" Male Hose Thread Outlet.**



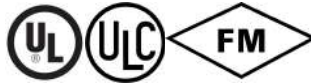
Heavy Duty 2-1/2" (65 mm) angle hose, 300 lbs (2068 kPa) pressure tested approved valve. Lightweight cast brass body, Forgeline Bonnett and Seat Assembly. UL/ULC listed and FM Approved. Specify regional hose thread for outlet.

**FINISH:** Cast Brass

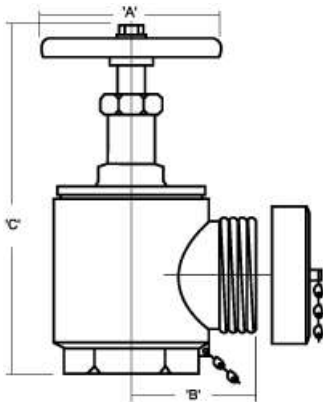
**OPTIONS:** Polish Brass, Cast Chrome, Polish Chrome

**HOSE THREADS AVAILABLE:** CSA, BCT, WCT, QST, NSST, NPSH, NST, Louisville, Cleveland, Chicago, Pittsburgh, New Cincinnati, New York Corp., New York Fire Department, Richmond, Raleigh

**OTHER HOSE THREADS:** PLEASE CONTACT FACTORY



**Dimensions:**



A=5" (125mm)  
B=3 3/16" (79mm)  
C=11" (OPEN) (275mm)  
C=9 1/4" (CLOSED) (231mm)

PROJECT		APPROVAL STAMP
PROJECT:		<input type="checkbox"/> APPROVED
ADDRESS:		<input type="checkbox"/> APPROVED AS NOTED
ENGINEER:		<input type="checkbox"/> NOT APPROVED
SUBMITTAL DATA:		REMARKS:
NOTES 1:		
NOTES 2:		