

[IE11CVR-SS]

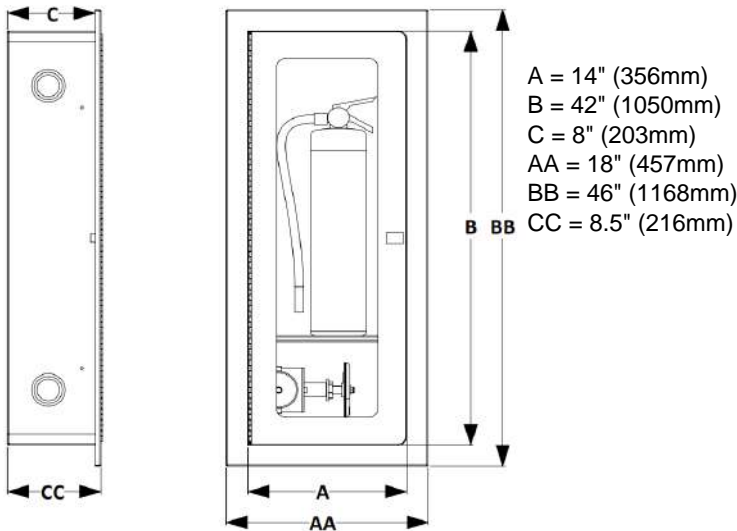
14" (356) X 42" (1050) X 8" (203) Recessed style extinguisher and valve cabinet with SS door

14" (356mm) x 42" (1050mm) x 8" (203mm) Recessed style extinguisher and valve cabinet constructed with 14 gauge stainless steel door and frame and 16 gauge Cold Rolled Steel primer tub. The Interior and exterior recess tub is treated with our exclusive WILCO "**PRO-TECH**" *Premiere* prime coating system. The door and frame have a #4 satin stainless steel finish and is fitted with 3/16" (5mm) clear glass, stainless steel concealed latch, reinforced piano hinges and a 1/2" turnback.

OPTIONS FOR DOOR: White Primer

OPTIONS FOR GLASS: 1/4" (6mm) Doulite, Lexan or Georgian Wire

Dimensions:



PROJECT		APPROVAL STAMP
PROJECT:		<input type="checkbox"/> APPROVED
ADDRESS:		<input type="checkbox"/> APPROVED AS NOTED
ENGINEER:		<input type="checkbox"/> NOT APPROVED
SUBMITTAL DATA:		REMARKS:
NOTES 1:		
NOTES 2:		